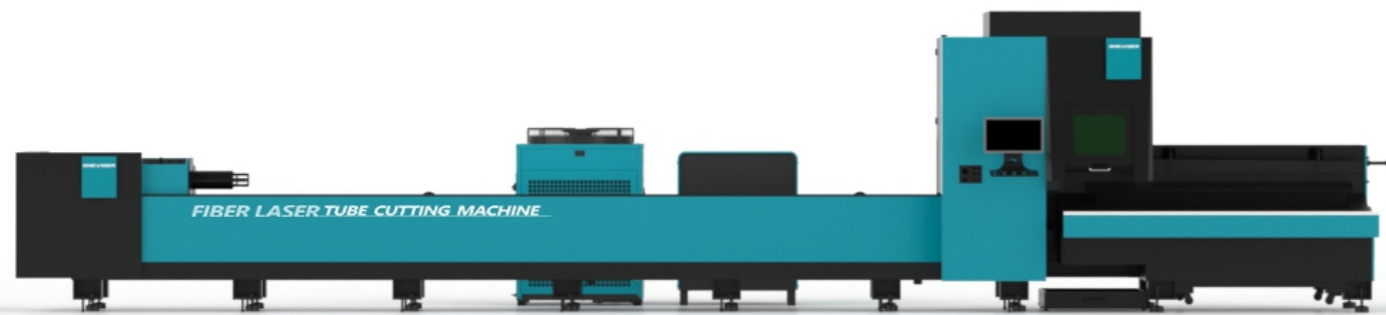


D-Tube Series

Fiber Laser Tube Cutting Machine

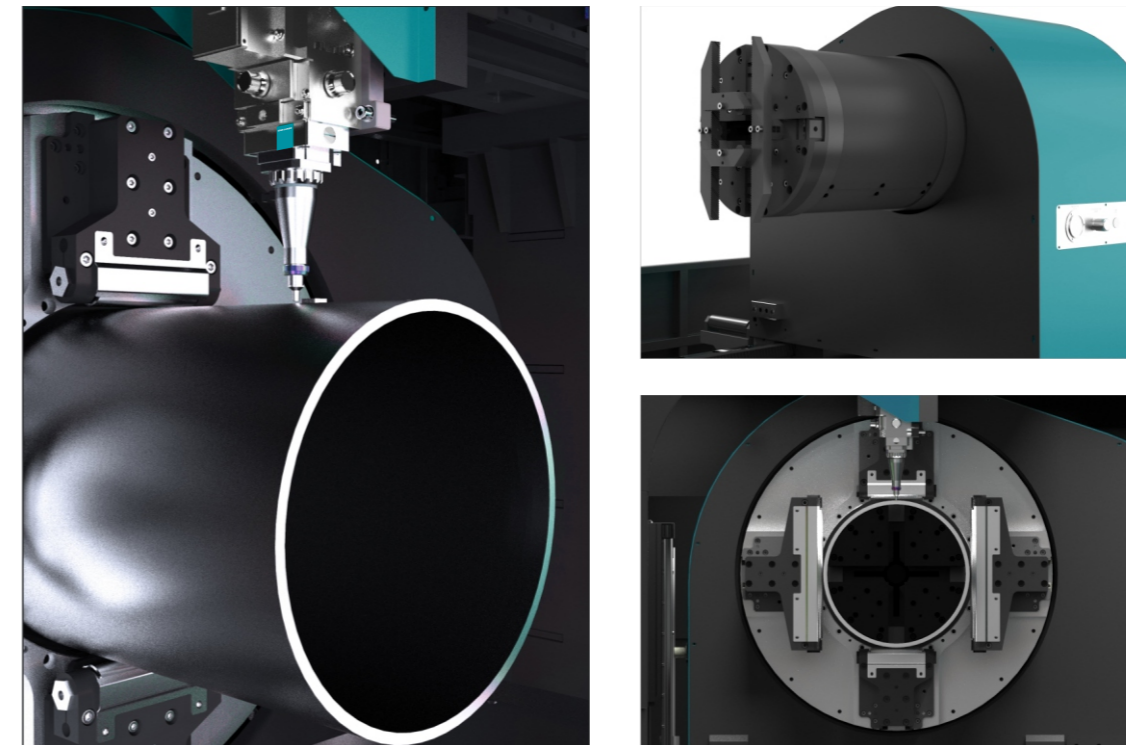


- 1 High cutting quality, precision, speed and efficiency.
- 2 Automatic blanking and automatic tail material processing.
- 3 Suitable for pipes of various shapes made of carbon steel, stainless steel, and aluminum.

Sales hotline:
+86 400 888 7008
<https://www.dne.global>



opposite



D-Tube Series

Fiber Laser Tube Cutting Machine

Technical Parameters														
Model	160			240			360							
Number of chucks	2			2	3		2	3						
Round tube (mm)	Φ10-Φ160			Φ15-Φ230			Φ20-Φ350							
Square tube(mm)	□15*15-□160*160			□15*15-□230*230			□20*20-□350*350							
Theoretical maximum chuck load	150kg			300kg			1500kg							
Loading length	6m			6m	6m	9m	6m	6m	9m	12m				
Unloading length	2m			2m	4m	6m	4m	6m	9m	2m	4m	6m	9m	12m
X/Y-axis positioning accuracy	±0.05mm/m													
X/Y-axis repeated positioning accuracy	±0.03mm/m													
B-axis rotation repeated positioning accuracy	≤ 5 arc minutes													
Bevel cutting function	Optional													

Note: The picture is for reference only, please refer to the actual product.

front